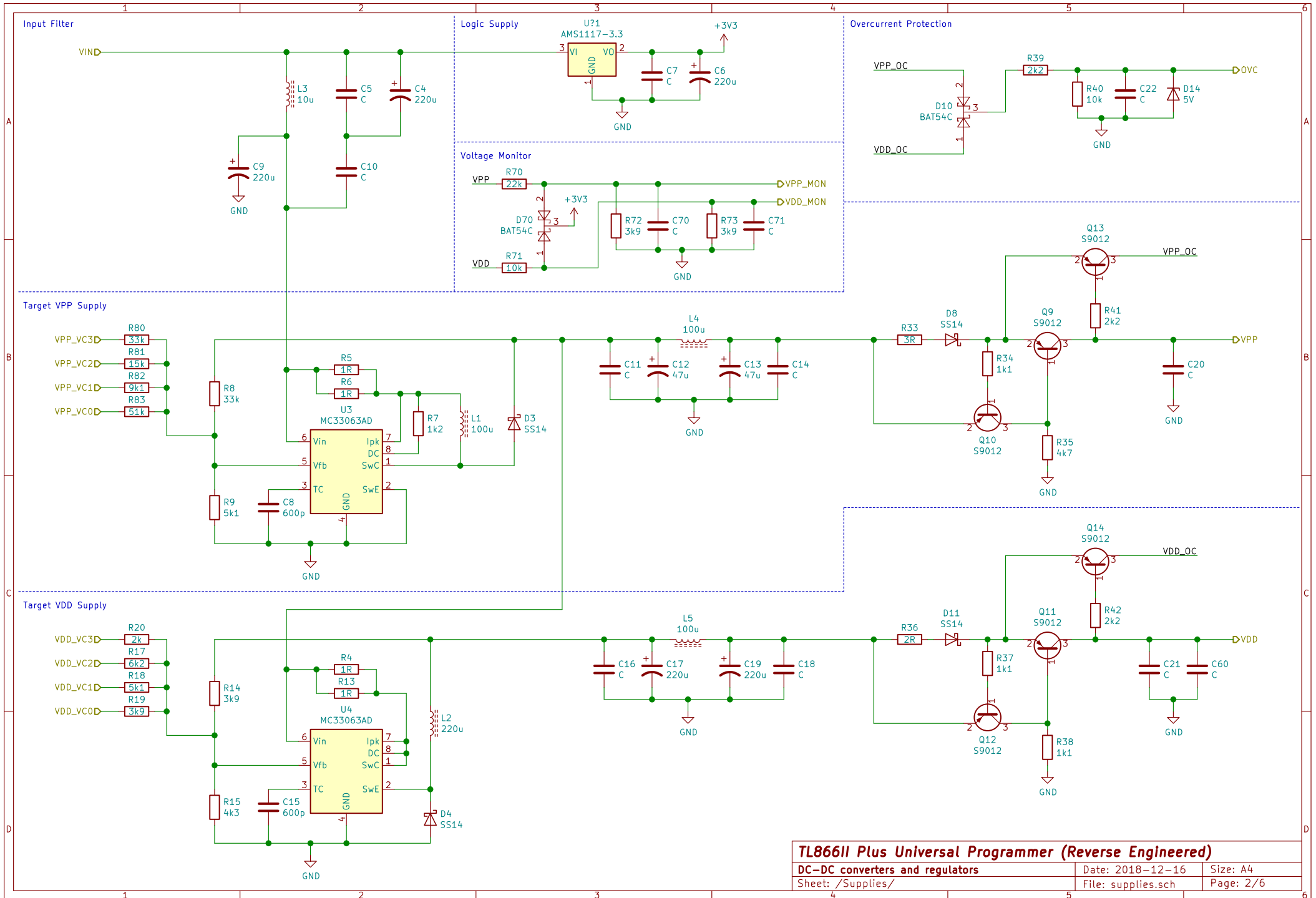


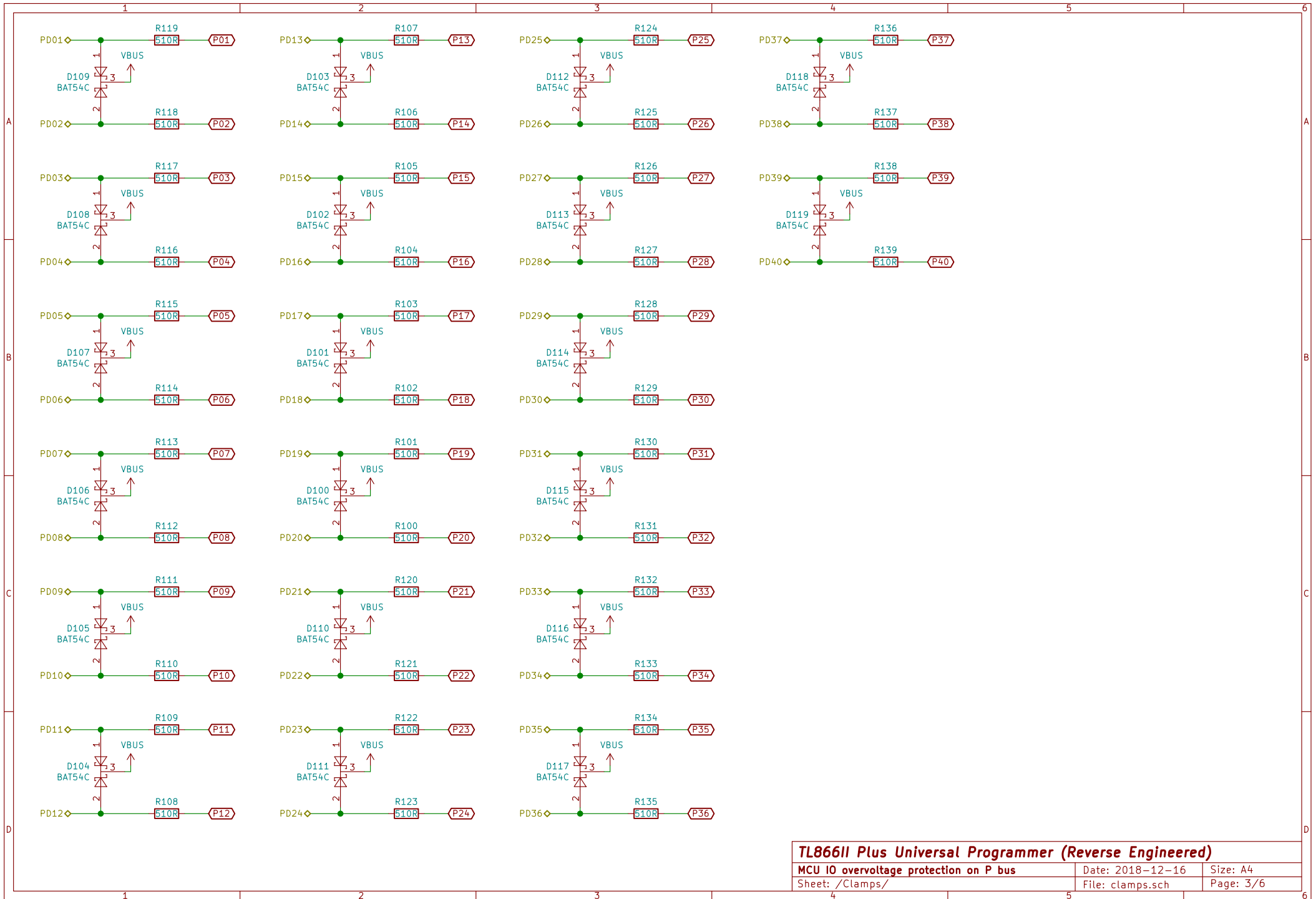
TL866II Plus Universal Programmer (Reverse Engineered)

Overview and Microcontroller	Date: 2018-12-16	Size: A4
Sheet: /	File: tl866ii.sch	Page: 1/6



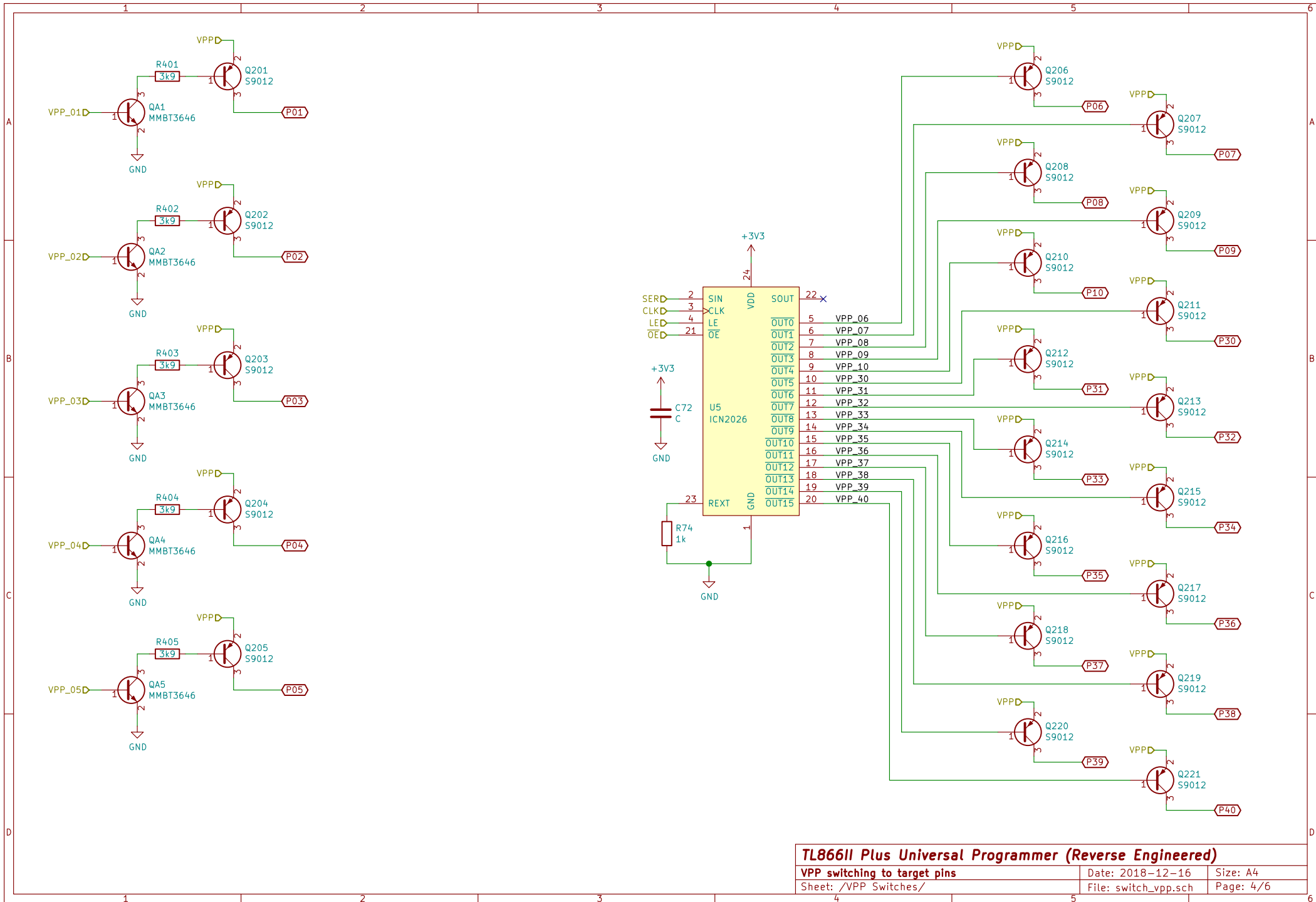
TL866II Plus Universal Programmer (Reverse Engineered)

DC-DC converters and regulators	Date: 2018-12-16	Size: A4
Sheet: /Supplies/	File: supplies.sch	Page: 2/6



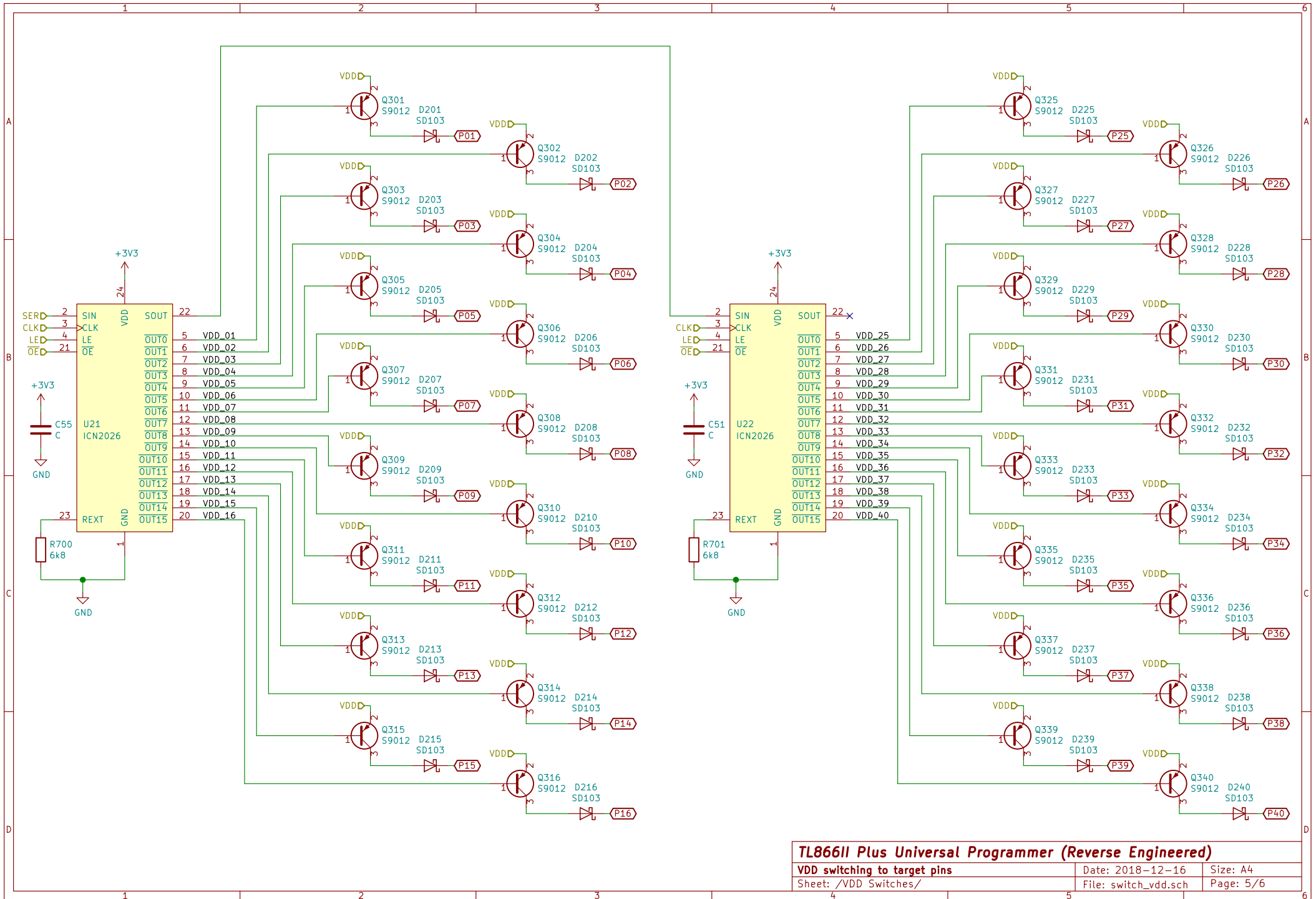
TL866II Plus Universal Programmer (Reverse Engineered)

MCU IO overvoltage protection on P bus	Date: 2018-12-16	Size: A4
Sheet: /Clamps/	File: clamps.sch	Page: 3/6



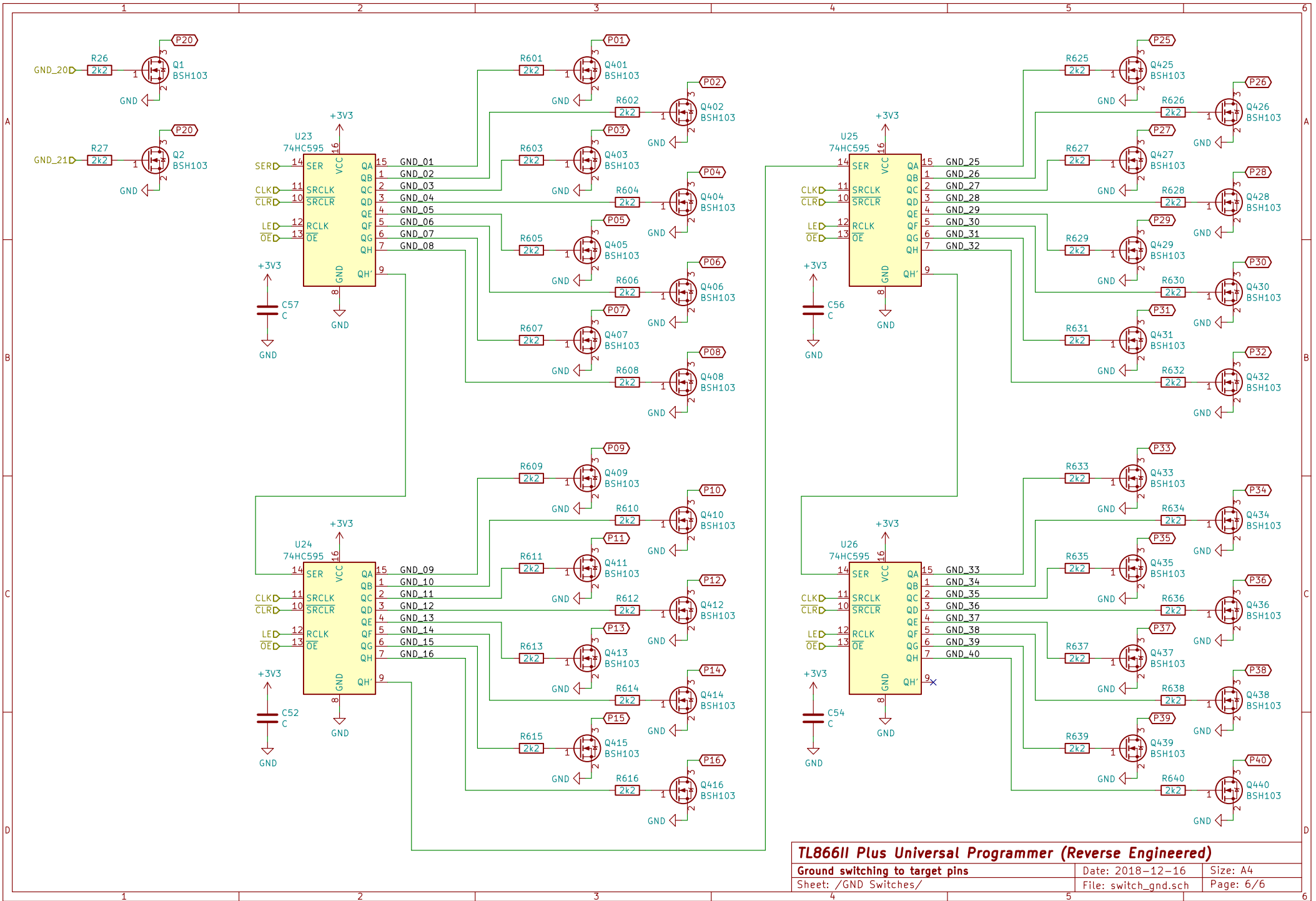
TL866II Plus Universal Programmer (Reverse Engineered)

VPP switching to target pins	Date: 2018-12-16	Size: A4
Sheet: /VPP Switches/	File: switch_vpp.sch	Page: 4/6



TL866II Plus Universal Programmer (Reverse Engineered)

VDD switching to target pins	Date: 2018-12-16	Size: A4
Sheet: /VDD Switches/	File: switch_vdd.sch	Page: 5/6



TL866II Plus Universal Programmer (Reverse Engineered)

Ground switching to target pins	Date: 2018-12-16	Size: A4
Sheet: /GND Switches/	File: switch_gnd.sch	Page: 6/6